

No.	Item	Symbol	Unit	Specification	No.	Item	Symbol	Unit	Specification
1	Drive	-	-	3 $\phi$ 220 VAC	13	Rotor Inertia	Jm	kg-cm <sup>2</sup>	61.58 $\pm$ 10%
2	Cooling Method	-	-	Totally Enclosed	14	Rated Power Rate	Q-R	Kw/s	127.31
3	Exciting Method	-	-	Permanent Magnet	15	Resistance	Ra	$\Omega$	0.167 $\pm$ 10%/2 $\phi$
4	Resolution	-	-	23 bit-INC	16	Inductance	L	mH	4.3 $\pm$ 10% / 2 $\phi$
5	Rated Output	P-R	W	4400	17	Mech. Time Constant	Tm	ms	1 $\pm$ 10%
6	Rated Torque	T-R	N-m	28	18	Elect. Time Constant	Te	ms	25.81 $\pm$ 10%
7	Max. Torque	T-max	N-m	70	19	Insulation Class	-	-	Class F
8	Rated Speed	N-R	rpm	1500	20	Operation Temp.	T	$^{\circ}$ C	0-40
9	Rated Current	I-R	A	23.6	21	Operation Humd.	RH	%	<80
10	Max. Current	I-max	A	59	22	Storage Temp.	T	$^{\circ}$ C	-20 $^{\circ}$ -60 $^{\circ}$
11	Torque Constant	Kt	N-m/A	1.19 $\pm$ 10%	23	Storage Humd.	RH	%	<80
12	Voltage Constant	Ke	V/krpm	79 $\pm$ 10%	24	Weight	W	kgw	26

Pin	Signal
A	U
B	V
C	W
D	FG

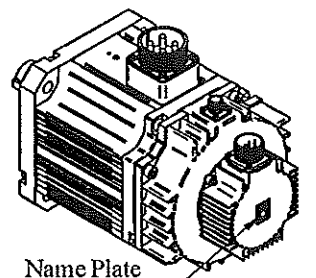
Motor Wiring

Pin	Mark
A	0
B	24V
C	

Brake Wiring

PIN	Signal
B	+5V
I	0V
A	
C	
H	SD+
D	SD-
G	
E	
F	FG

Encoder Wiring



Name Plate for Notice

NOTE:  
Motor to be IP67.  
(excluding the shaft opening & connectors)



Do not Hammer!  
Name Plate for Notice

**AC SERVO MOTOR**

Model: JSMA-PIH44A3KB

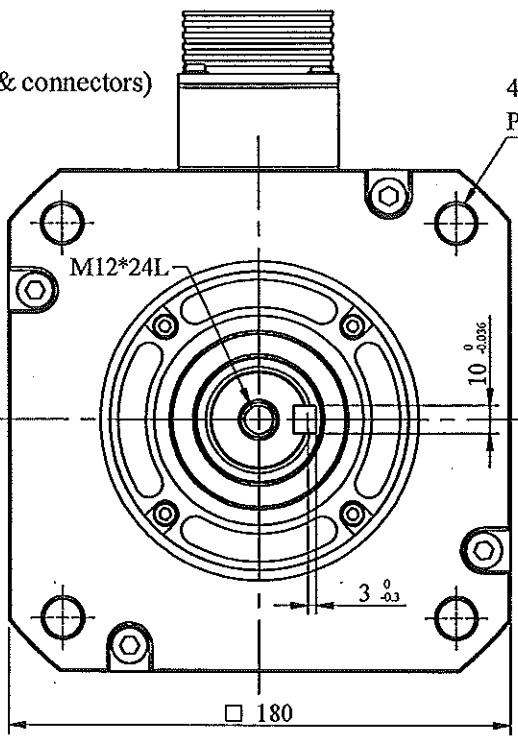
Pr. 4.4 KW ; Nr. 1500 rpm

Ir. 23.6 A , Tr. 28 N-m

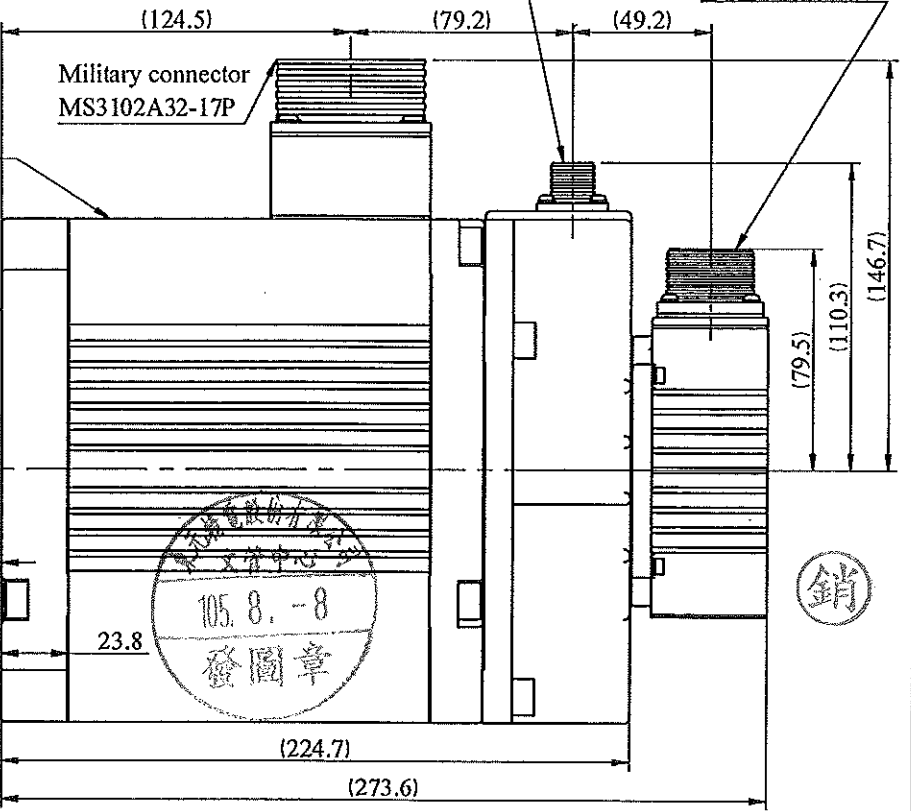
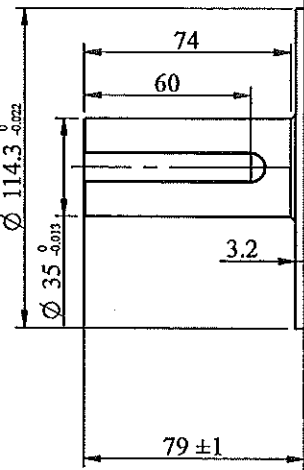
NO. \_\_\_\_\_

**TECO ELECTRIC & MACHINERY CO., LTD.**  
MADE IN TAIWAN

Name Plate for Spec



4-Ø13.5  
P.C.D. Ø200±0.1  
Name Plate for Spec



STANDARD TOLERANCE		APVD	SCALE	UNIT	mm	NAME	Servo Motor Outline Drawing	
X	±0.5	Michelle	3RD .A.P			TITLE	JSMA-PIH44A3KB	
.X	±0.2	Leon					Dept	DWG.NO.
.XX	±0.05							D01B18442H3BZAD01
ANGLE	±30'							
MATERIAL		REVISION	DESCRIPTION	SIGNATURE	DATE	SIGNATURE	DATE	